

Masport[®] Heating

INSERT & INBUILT WOOD FIRES

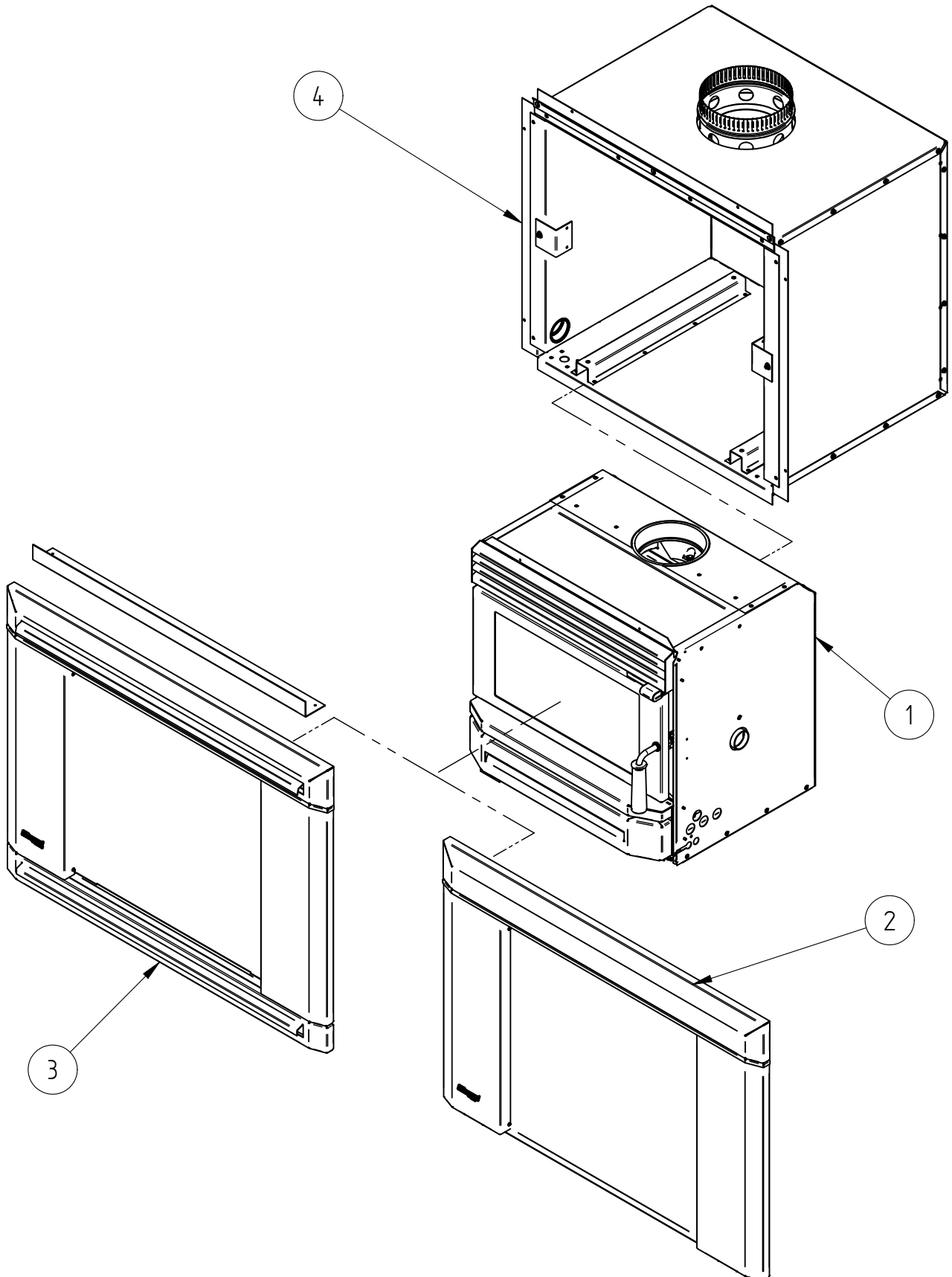
LE5000 PROVINCIAL AUSTRALIA

DESCRIPTIONS	ITEM NO.	MARKET	FUEL TYPE	FINISH	YEAR	FAN
Fire Box	995997	AU	HARDWOOD	Metallic Black VHT Paint	JUN-2005	YES
Insert Fascia	995991					-NA.-
ZC Fascia	995994			-NA.-		
ZC box	995968					-NA.-

KIT CODE	DESCRIPTION	CONTENTS
MAW2060	LE5000 PROV	995997 + 995991
MAW2063	LE5000 PROV Z/C	995997 + 995994 + 995968



OVER ALL SCHEMATIC FOR LE5000 (AU) MASONRY & INBUILT / ZC COMPONENTS

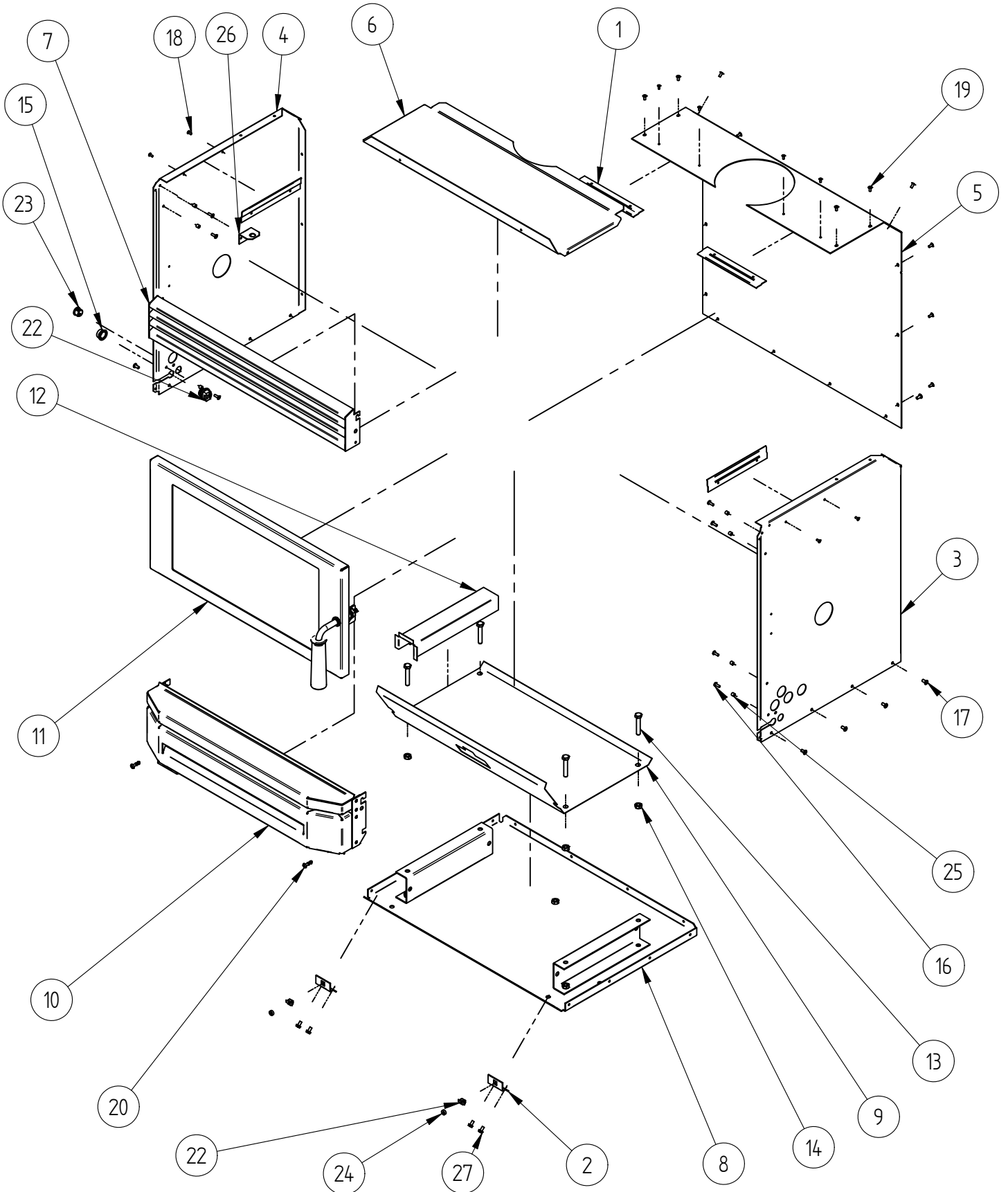


When ordering PLEASE QUOTE PART ID along with Finish Suffix (if applicable)

FASCIA AND ZERO CLEARANCE BOX				
Item	Part ID	Model	Descriptions	Qty
		993970		
1	995997	-	W/F LE5000 PROV INB 13 BLK VHT	1
2	995991	-	FASCIA LE5000 PROV BEV BLK VHT	1
3	995994	-	FASCIA LE5 PROV Z/C BEV BLK VHT	1
4	995968	-	ZERO CLEARANCE BOX LE5000 PRO	1

When ordering PLEASE QUOTE PART ID along with Finish Suffix (if applicable)

PANELS, DOOR AND PEDESTAL

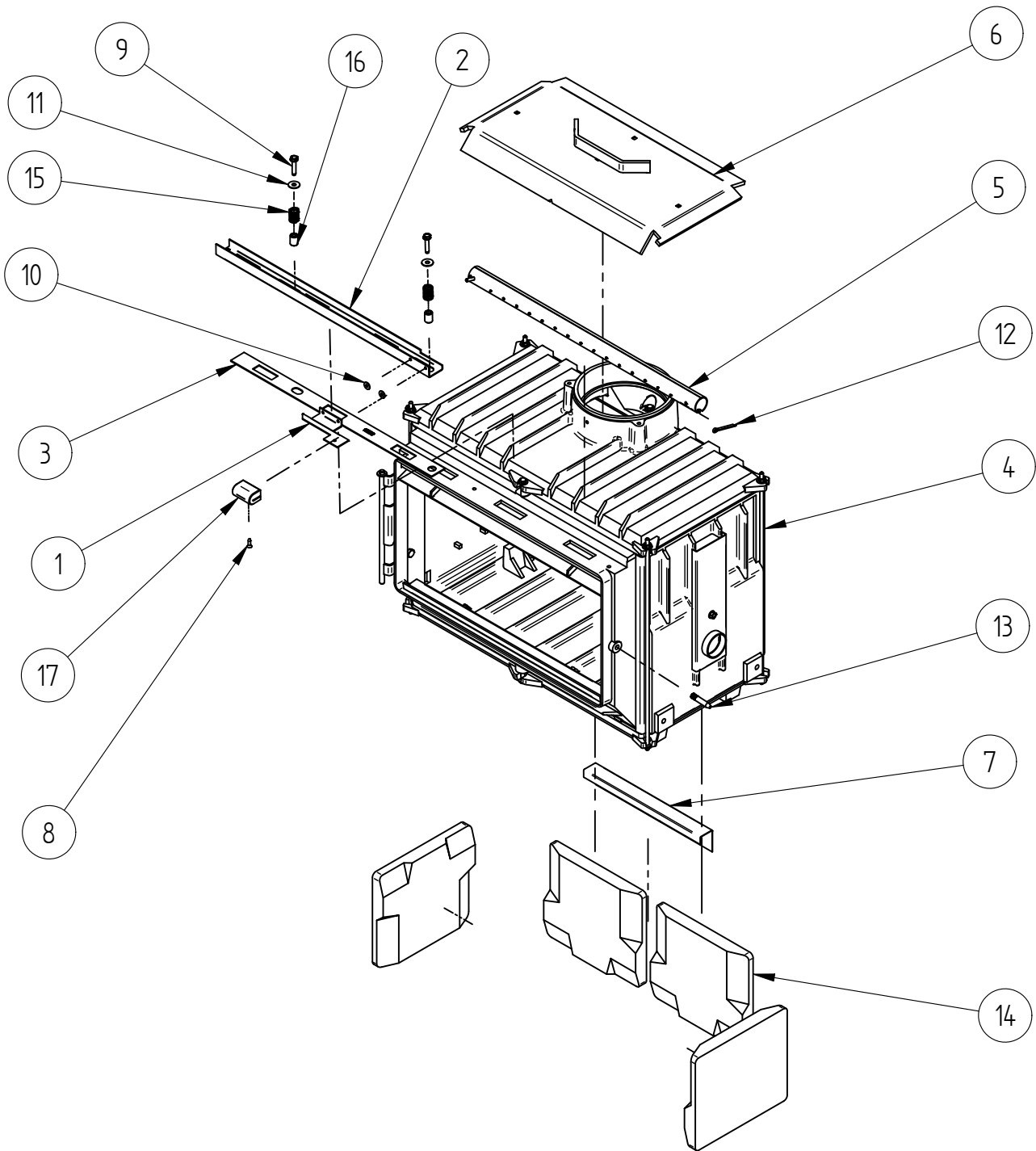


When ordering PLEASE QUOTE PART ID along with Finish Suffix (if applicable)

PANELS, DOOR AND PEDESTAL				
Item	Part ID	Models	Descriptions	Qty
		995997		
1	986514	-	CASE OUTER, GUIDE RAIL LE	4
2	990281	-	PLATE LATCH LOUVRE INBUILT	2
3	993103	-	CASE - OUTER, SIDE RH LE3 PRO	1
4	993104	-	CASE - OUTER, SIDE LH LE3 PRO	1
5	993105	-	CASE - OUTER, REAR PROV LE5	1
6	993106	-	CASE - OUTER, TOP LE PROV NEW	1
7	993117	-	GRILL-ASSY,LE3/5 PROV MET BLK VHT	1
8	993129	-	BASE ASSEMBLY, LE5 PROV	1
9	993131	-	HEATSHIELD - BOTTOM, PROV LE3	1
10	993185	V02	FAN BOX ASSY COMPLETE LE5 PROV	1
11	993281	-	SEE DOOR ASSEMBLY PAGE	1
12	993296	-	SHIELD-LOOM, LE4	1
13	520010	-	BOLT; M8X45 HEX ZP	4
14	522118	-	NUT; HEX STD M8 ZP	4
15	522902	-	NUT; CABLE GRIPPER 800031	1
16	524006	-	RIVET; 73 AS 5-5	8
17	524007	-	RIVET; 73 AS 6-3	12
18	524010	-	RIVET; 73 AS 4-3 LONG	8
19	524011	-	RIVET; 73 MS 5-3	12
20	527900	-	STUD; DZUSSZ 5 265-716-190 BLK	2
21*	529100	-	RECEPTACLE; BLK DZUSSZ5 285-102161	2
22	529201	-	CLAMP; CABLE 16 LITTLE GRIPPER	1
23	529400	-	GROMMET; PLASTIC 22-PLB16	1
24	529404	-	GROMMET; DZUSSZE 5 275-040-400	2
25	586148	-	SPACER-GRILLE BLUE FINISH	8
26	993704	-	I5000 CENTRALISING F/B BRACKET	1
27	521620	-	SCREW; S/T 10GX3/8" HEX FLANGE SLOT BLK	4

When ordering PLEASE QUOTE PART ID along with Finish Suffix (if applicable)

AIRSLIDE, BAFFLE, BRICKS AND FIREBOX

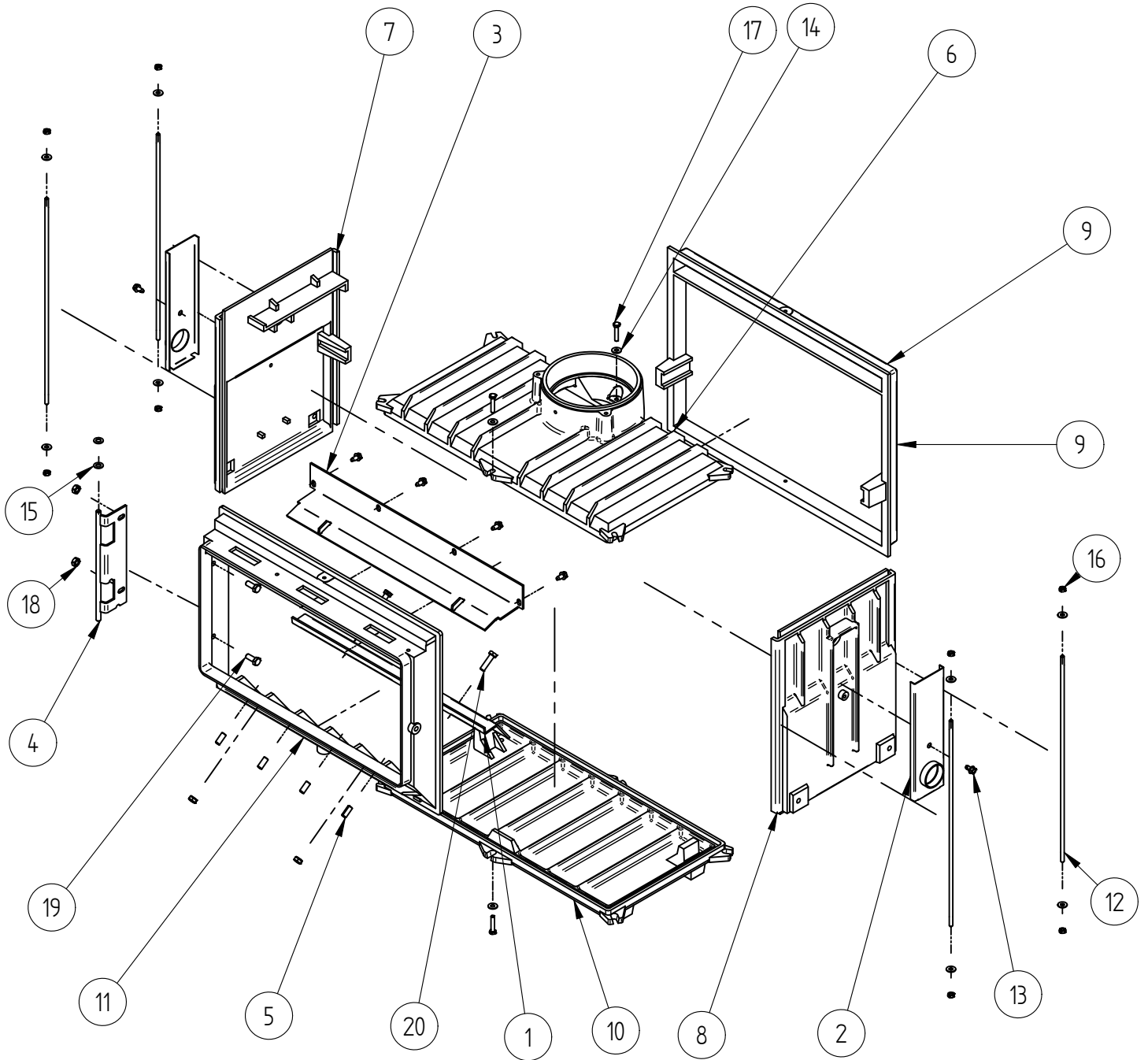


When ordering PLEASE QUOTE PART ID along with Finish Suffix (if applicable)

AIRSLIDE, BAFFLE, BRICKS AND FIREBOX				
Item	Part ID	Models	Descriptions	Qty
		995997		
1	993130	-	EXT'N SLIDE, AIR LE5 PROV	1
2	993172	-	SLIDE - AIR INLET, 37 TRAVEL	1
3	993173	-	PLATE - METERING, "Z" LE5 PROV	1
4	993610	-	LE5000 F/B ASSEMBLY	1
5	994229	-	TUBE-SEC AIR, F3000 S/S	1
6	993642	-	I5000 BAFFLE ASM	1
7	994258	-	CHANNEL BRICK RETAINER F2000	1
8	521628	-	SCREW; S/T 8GX5/8" CSK POZI ZP	1
9	521634	-	SCREW; S/T M6X30 HEX FLANGE ZP TAPTITE	2
10	523000	-	WASHER; FLAT 3/16"X1/2"X18G ZP	2
11	523005	-	WASHER; FLAT 1/4"X3/4"X18G ZP	2
12	525105	-	COTTER PIN 5.0X40 ZP	1
13	586516	-	PIN-DOOR CATCH,LE PROV FERROMOLY	1
14	587807	-	BRICK-F/B, LE2, LE3, 09	4
15	593079	-	SPRING-COMPRESSIONAIR INLET	2
16	593080	-	SPACER-AIR SLIDE LE PROV	2
17	986162	-	KNOB-AIR CONTROL WOODFIRE	1

When ordering PLEASE QUOTE PART ID along with Finish Suffix (if applicable)

FIREBOX DETAILS

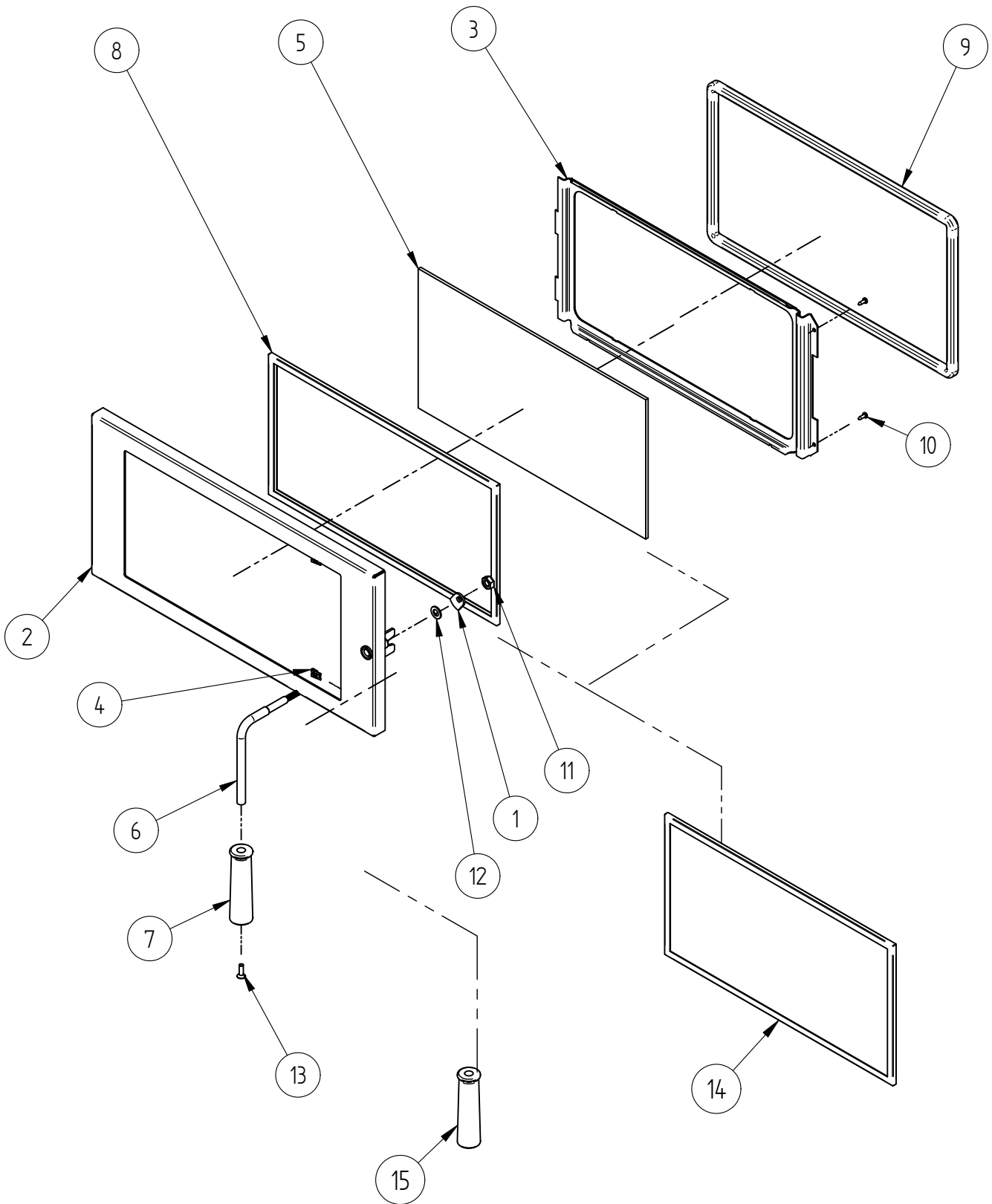


When ordering PLEASE QUOTE PART ID along with Finish Suffix (if applicable)

FIREBOX				
Item	Part ID	Models	Descriptions	Qty
		995997		
1	987551	-	PLATE - BASE AIR	1
2	993628	-	I5000 A/T CHANEL COVER ASM	2
3	993644	-	I5000 F/B AIR DEFLECTOR ASSM	1
4	995107	-	HINGE ASSY LE3 PROVINCIAL	1
5	525007	-	PIN; TENSION 8X20 BLK BISSELL 001791	4
6	686502	-	F/B TOP LE5 PROVINCIAL	1
7	686645	-	F/B SIDE LH LE3/5000S2/PAN/VERONA	1
8	686646	-	F/B SIDE RH LE3/5000S2/PAN/VERONA	1
9	686680	-	F/B BACK LE5 PROVINCIAL	1
10	686681	-	F/B BOTTOM LE3/5/VER-SET 1 &7	1
11	686800	-	F/B FRONT LE PROVINCIALS2	1
12	984598	-	ROD; TIE M6X 425	4
13	521601	-	SCREW; S/T 1/4"X1/2" HEX FLANGE ZP	6
14	523007	-	WASHER; FLAT 1/4"X5/8"X0.049" ZP	12
15	523019	-	WASHER; FLAT 5/16"X5/8"X16G ZP	2
16	522117	-	NUT; HEX STD M6 ZP	8
17	521059	-	SCREW; M6X30 HEX ZP	4
18	522118	-	NUT; HEX STD M8 ZP	4
19	521066	-	SCREW; M8X20 HEX ZP	2
20	521068	-	SCREW; M8X30 HEX ZP	2

When ordering PLEASE QUOTE PART ID along with Finish Suffix (if applicable)

DOOR ASSEMBLY

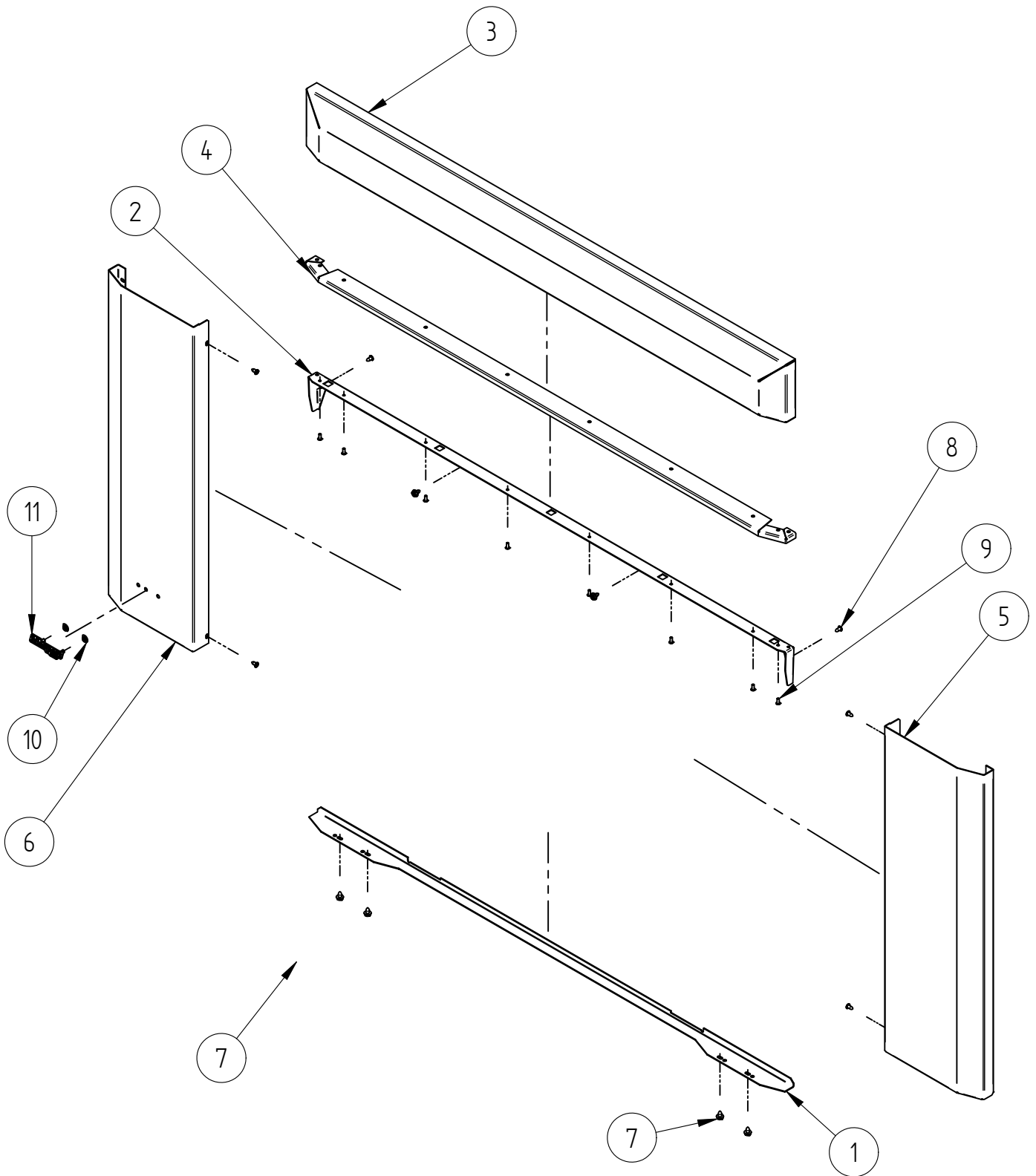


When ordering PLEASE QUOTE PART ID along with Finish Suffix (if applicable)

DOOR ASSEMBLY				
Item	Part ID	Models	Descriptions	Qty
		995997		
1	984571	-	LATCH-DOOR CATCH PROVINCIAL S2	1
2	993108	V02	FRAME-DOOR ASSY LE5 PR ME	1
3	995025	-	RETAINER - GLASS LE PROV S2	1
4	522401	-	NUT; SPIRE SNJ 0116/17/4/6	2
5	595003	-	GLASS W/FIRE 5X458X243	1
6	595641	-	ROD-HANDLE W/F INBUILT	1
7	595655	-	HANDLE-DOOR WOOD W/F INB	1
8	C20MMLT	-	LADDER TAPE 3X20X50m ROLL (MTR)	1
9	C15MMDR	-	DOOR ROPE 15MM X 50m ROLL (MTR)	1
10	521619	-	SCREW; S/T 8GX1/2" PAN POZI ZP	2
11	522900	-	NUT; BINX M10 ZP	1
12	523021	-	WASHER; FLAT M10X19X1.6 ZP	1
13	521825	-	SCREW; CAP M6X20 ESK ALLEN BLK	1
14*	787111	-	DOOR GLASS KIT	
15*	795655	-	DOOR HANDLE KIT	

*Optional Sale Kit

FASCIA ASSEMBLY

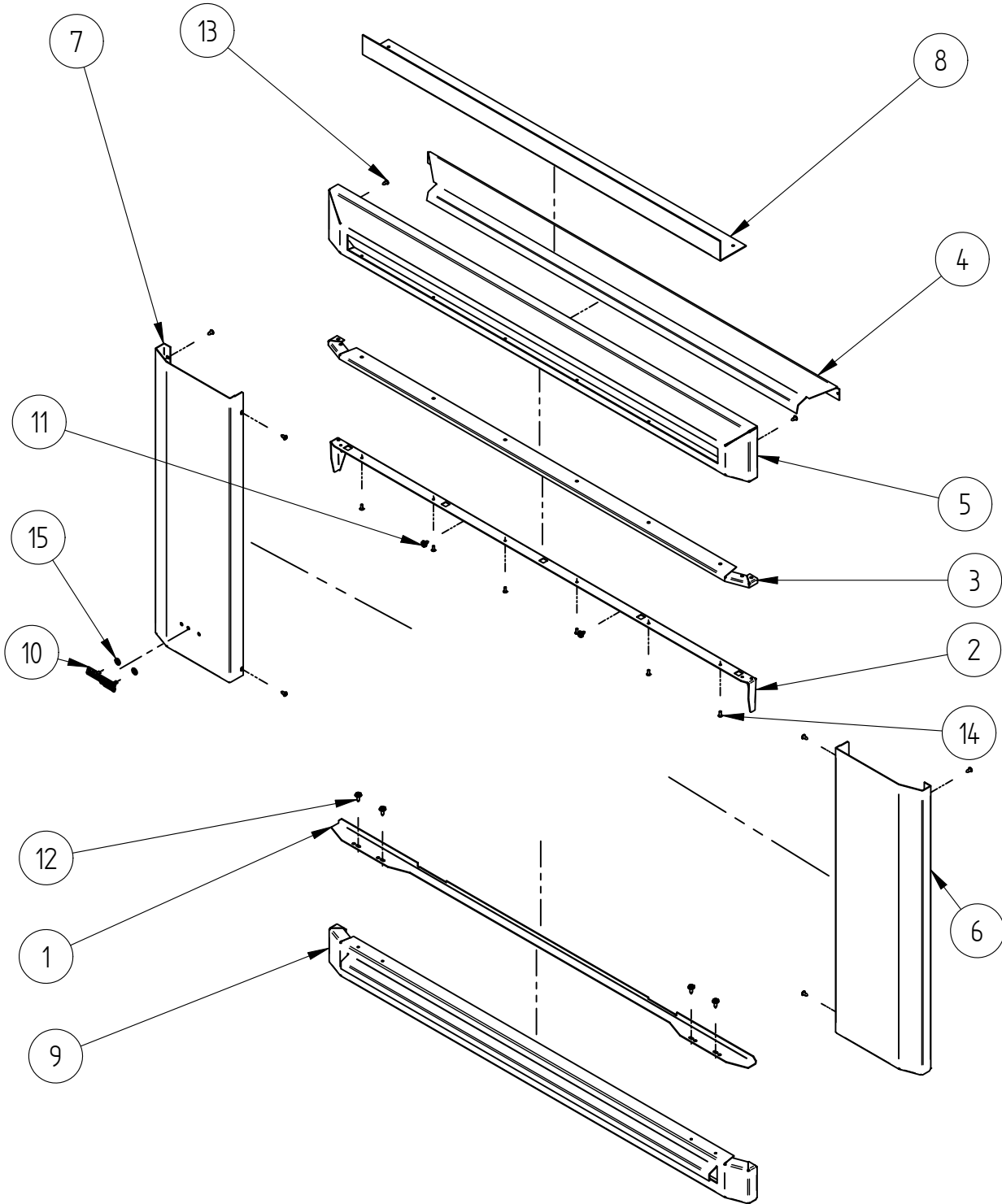


When ordering PLEASE QUOTE PART ID along with Finish Suffix (if applicable)

FASCIA ASSEMBLY				
Item	Part ID	Models	Descriptions	Qty
		995997		
1	990172	V02	STIFFENER FASCIA INBULT 2K	1
2	990173	V02	BRKT- LOCATING, FASCIA MANTLE	1
3	990181	V02	Box- Louvre, Tall Fascia MG5IN 2K	1
4	990223	V02	Trim-Fascia, MG5IN	1
5	990400	V02	Panel - RH, EIS 03	1
6	993135	V02	PANEL - LH, LE5 PROV	1
7	521635	-	SCREW; S/T 10GX3/8" HEX FLANGE BLK	6
8	521646	-	SCREW; S/T 8GX3/8" WAFER PHILLIPS NIC	6
9	524010	-	RIVET; 73 AS 4-3 LONG	8
10	526001	-	CLIP; STARLOCK 4 DIA SLP04	2
11	587836	-	BADGE MASPORT CAST	1

When ordering PLEASE QUOTE PART ID along with Finish Suffix (if applicable)

ZC FASCIA ASSEMBLY

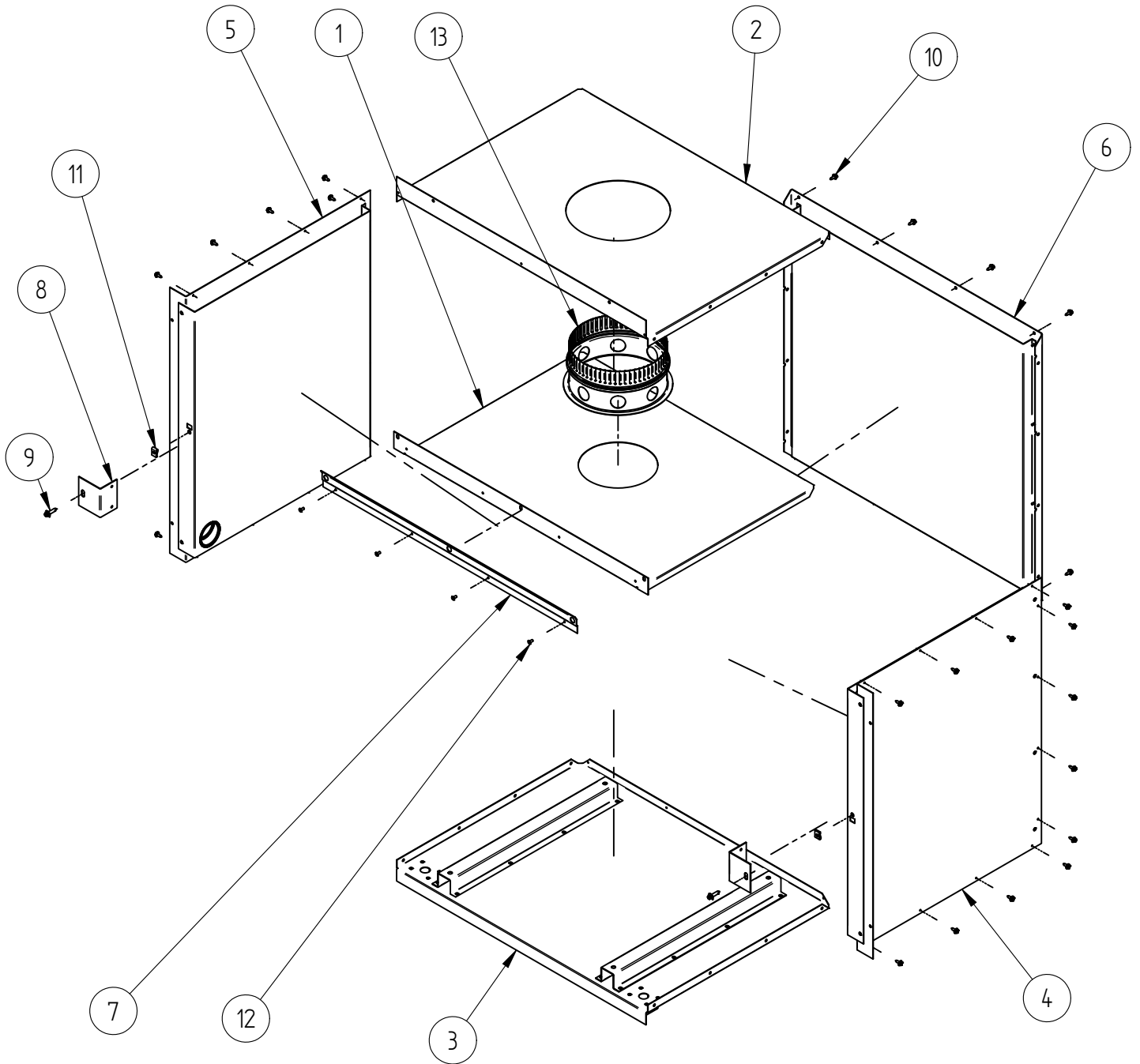


When ordering PLEASE QUOTE PART ID along with Finish Suffix (if applicable)

ZC FASCIA ASSEMBLY				
Item	Part ID	Models	Descriptions	Qty
		995997		
1	990172	V02	STIFFENER FASCIA INBULT 2K	1
2	990173	V02	BRKT- LOCATING, FASCIA MANTLE	1
3	990223	V02	Trim-Fascia, MG5IN	1
4	990242	V02	DEFLECT AIR MG5IN BLU/BLK	1
5	990243	V02	PANEL - TOP FASCIA MG5IN	1
6	990400	V02	Panel - RH, EIS 03	1
7	993135	V02	PANEL - LH, LE5 PROV	1
8	993145	-	SUPPORT ANGLE - ZC BOX LE5 PRO	1
9	993146	V02	VENTED LOWER RAIL -FASCIA ZC LE	1
10	587835	-	BADGE MASPORT HEATING	1
11	521635	-	SCREW; S/T 10GX3/8" HEX FLANGE BLK	2
12	521643	-	SCREW; S/T 8GX1/2" HEX POZI BLK	4
13	521646	-	SCREW; S/T 8GX3/8" WAFER PHILLIPS NIC	8
14	524010	-	RIVET; 73 AS 4-3 LONG	8
15	526009	-	CLIP; STARLOCK M4	2

When ordering PLEASE QUOTE PART ID along with Finish Suffix (if applicable)

ZERO CLEARANCE BOX ASSEMBLY



When ordering PLEASE QUOTE PART ID along with Finish Suffix (if applicable)

ZERO CLEARANCE BOX ASSEMBLY				
Item	Part ID	Models	Descriptions	Qty
		995970		
1	993142	-	SHIELD TOP-ZC BOX LE5 PROV	1
2	993144	-	PANEL TOP-ZC BOX GR PROV	1
3	993313	-	LE4000 Z/C PANEL ASSY BOTTOM	1
4	993314	-	LE4000 Z/C PANEL ASSY R/H	1
5	993315	-	LE4000 Z/C PANEL ASSY L/H	1
6	993337	-	LE4000 Z/C PANEL ASSY REAR	1
7	993143	-	CHANNEL-FASCIA RTN ZC BOX LE5	1
8	995196	-	BRACKET RESTRAINT, ZC K1	2
9	521637	-	SCREW; S/T 12GX25 TIMBERTITE	2
10	521643	-	SCREW; S/T 8GX1/2" HEX POZI BLK	32
11	522402	-	NUT; SPIRE SNU0537	2
12	524011	-	RIVET; 73 MS 5-3	4
13	595688	-	FLANGE SPIGOT ZC KIT	1

When ordering PLEASE QUOTE PART ID along with Finish Suffix (if applicable)

NOT ILLUSTRATED				
Item	Part ID	Models	Descriptions	Qty
		995997		
1	590475	-	INSTRUCTFASCIA INB	1
2	593177	-	INSTRUCT ZC KIT	1
3	593255	-	O/MANUAL WOODFIRES	1
4	593713	-	INSTRUCT BRICK INSTALL 15000	1

SURFACE FINISH CODES FOR PANELS					
VITREOUS ENAMEL		VHT PAINT(Very High Temp)		POWDER COAT	
E01	MATT BLACK	V02	METALLIC BLACK	P02	MATT BLACK
E02	GLOSS BLACK	V03	CHARCOAL	P03	CHARCOAL
E03	CHARCOAL	V04	TITANIUM	P05	SATIN BLACK
		V05	CHARCOAL (DAM MET BLK)	P09	METTALIC BLACK
		V06	METALLIC BLACK ZINC		

When ordering PLEASE QUOTE PART ID along with Finish Suffix (if applicable)